

# DrizAir 150 Dehumidifier

(Models: F91, F91-A, F91-SM, F91-230V)

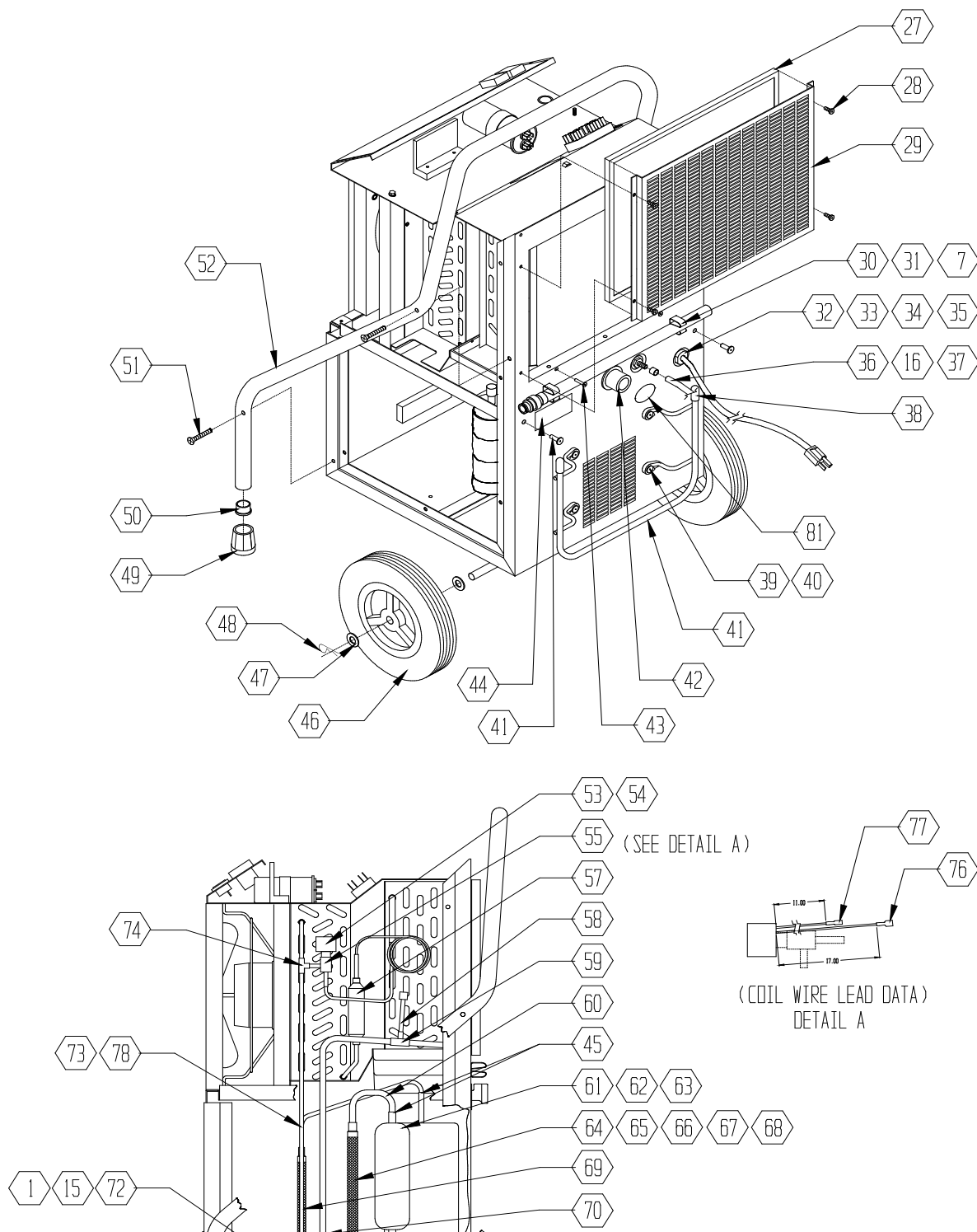
## Symbol Definition

- \* - multiple components to choose from for different models: voltage, size, color, etc.
- + - if you order this item, you may need to order additional items marked with same number of +'s in order to upgrade or complete repair

Find#	Part Description	Specifications/Model	Part #		Qty
	Connector, butt	14-16	02-00013	ea.	5
	Connector	Full Ins QS.250 Feml	02-00135	ea.	1
	Power Cord, 20'	14-3 STJW-A	02-00492	ea.	1
13	Pump, Peristaltic 115v *	Peristaltic Pump, 115v, (-SM only)	02-00494	ea.	1
32	Strain Relief	Cord Strain Relief, Black, 115v, SM	02-00499	ea.	1
53	Coil, Solenoid 115v	Solenoid Coil, 115v, SM	02-00777	ea.	1
	Motor	16W Unit Bearing	02-00856	ea.	1
	Switch, Dual Rocker	Switch, Dual Rocker	02-01048	ea.	1
76	Connector	1/4", 18/22GA, Fem, Insul	02-01117	ea.	1
54	Coil, Solenoid 230v	Solenoid Coil, 230v	02-01416	ea.	1
77	Connector	3/16", 18/22 GA, Fem, Insul	02-01448	ea.	1
	Washer	1/4", Rivet, ZP	03-00001	ea.	4
12	Handle	Flush Mount Handle, Black	03-00002	ea.	1
23	Nylon Tie	4" Nylon	03-00012	ea.	6
	Washer	#10 SS Flat	03-00013	ea.	6
	Nut	Nyloc 1/4-20 SS	03-00017	ea.	4
	Washer	1/4-5/8 SAE SS	03-00018	ea.	4
39	Rivet	1/4" x 1/2" Stl/Stl Zp	03-00022	ea.	6
15	Nut	#10-24, w/Star Washer, Zp	03-00038	ea.	5
	Bolt	10-24 x 1/2 SS Hex Hd	03-00430	ea.	6
7	Rivet	3/16 x 1/4" Stl/Stl, Paint Blk	03-00432	ea.	8
16	Clamp, Hose	3/8 ID, Green	03-00471	ea.	7
	Nut	10-24 SS Nyloc	03-00491	ea.	6
48	Hitch Pin	#17 Hitch Pin, Zp	03-00501	ea.	2
47	Washer	1/2" ID x 1.25 OD x .06, SS	03-00502	ea.	4
51	Screw	1/4-20 x 1.5 Oval Hed Phil Cs SS	03-00503	ea.	4
	Nut	1/8-16 Nyloc SS	03-00505	ea.	3
19	Washer	3/8 ID x 1.375" OD x .06, SS	03-00506	ea.	3
	Screw	#6-3/8 SS Phil Pan Hd	03-00566	ea.	2
	Push Mount		03-00771	ea.	5
	Cable Tie	11"	03-00813	ea.	3
	Rivet	1/8" Al Short	03-00901	ea.	4
	Hose Clamp	1/2" Yellow	03-01059	ea.	5
20	Bolt	5/16-18 x 3/8" x 1.25", Shoulder	03-01336	ea.	3
1	Screw	#10-24 x 1/2" Zp	03-01429	ea.	22
	Bag	9" x 15", 2 mil Poly	06-00056	ea.	1
	Label	Serial for Box	07-00210	ea.	1
66	Insulation	3/4" ID x 1/2" Wall (8-1/2")	08-00016	ft.	.75'

Find#	Part Description	Specifications/Model	Part #		Qty
31	Drain Tube	Sub-Assy	08-00019	ea.	1
	Evaporator Coil		08-00752	ea.	1
	Condenser Coil		08-00753	ea.	1
57	Filter Dryer	Filter Dryer 1.5 Ton	08-00754	ea.	1
	R-22 Refrigerant	R-22 Refrigerant (24.7oz)	08-00755	set	700g
62	Cork Tape Insulation	Cork Tape (3")	08-00784	ft.	0.25'
61	Cork Tape Insulation	Cork Tape (8"), 115v, SM	08-00784	ft.	0.67'
61	Cork Tape Insulation	Cork Tape (12") Compressor, 230v	08-00784	ft.	1.0'
67	Cork Tape Insulation	Cork Tape (6")	08-00784	ft.	0.50'
68	Cork Tape Insulation	Cork Tape (6")	08-00784	ft.	0.50'
60	Insulation	For Pipe 3/8 x 3/8 Wall, (8")	08-00785	ft.	0.67'
70	Insulation	3/8" IDx3/8" Wall (2.0')	08-00785	ft.	2.0'
	Hour Meter		12-00929	ea.	1
	Rubber Tip	Rubber Tip for Rigid Handle, 1"	13-00510	ea.	2
46	Wheel	9" ODx1/2" Bore, Blk Rubber	13-00861	ea.	2
38	Cap	3/8" ID x 1" Blk Vinyl	13-01056	ea.	2
	Plug End, Metal	1" Metal Plug End	13-01190	ea.	2
18	Tube, Vinyl	1/4" x 3/8" (14-1/2")	15-00195	ft.	1.2'
36	Tube, Vinyl	1/4" ID x 3/8" OD, Vinyl (40' pc, only)	15-00195	ft.	40'
79	Tube, Vinyl	1/4" x 3/8" (10")	15-00195	ft.	0.83'
	Tube	1/4" ID, Neoprene, (12")	15-00495	ft.	1'
	Tubing	3/8" ID x 1/2" OD PVC, Vinyl	15-01058	ft.	4'
	Tubing	3/8" ID x 1/2" OD PVC, Vinyl	15-01058	ft.	1.7'
	Tubing	Gravity Hose 3/8"ID x 1/2"OD	15-01058	ft.	4
	Fan Blade	10" x 30	17-00858	ea.	1
74	Tee	1/4"x1/4"x1/4" AC/R Tee, Copper	18-00756	ea.	1
55	Valve, By-Pass	NEV-603 DXF, 5.8mm	18-00760	ea.	1
64	Damper, Vibration	3/8" Vibration Damper	18-00761	ea.	1
	Damper, Vibration	1/4" Vibration Damper	18-00762	ea.	1
59	Tee Copper	Copper Tee 3/8 -3/8 - 1/4 AC/R	18-00764	ea.	1
37	Fitting, Bulk Head	1/4" BHU-22-04, w/Nut	18-00812	ea.	1
58	Valve, Shrader	1/4" CD8404, Service Line	18-00817	ea.	1
	Fitting	3/8x1/4 Red. Coupler	18-01052	ea.	1
	Fitting, Bulk Head	3/8", BHU 22-06 (Special Order)	18-01057	ea.	1
	Elbow	90 CopperAC/RLong	18-01060	ea.	2
72	Clamp	Clamp 1/4", Copper	18-01132	ea.	1
	Peristaltic Pump		23-00001	ea.	1
	Coupling	3/8"	18-01137	ea.	2
	Pump Plate	w/ Bushing (cover w/ 4 screw holes)	23-00002	ea.	1
	Pump Bushing	For Pump Plate	23-00003	ea.	1
	Roller Assembly	Peristaltic Pump Roller	23-00004	ea.	1
	Defrost Control Kit	Time/Temp (Timer)	23-00972	ea.	1

# DrizAir 150 Pictorial Drawing



# DrizAir 150 Pictorial Drawing

REFRIGERATION SYSTEM LAYOUT

F91G - Page 1

